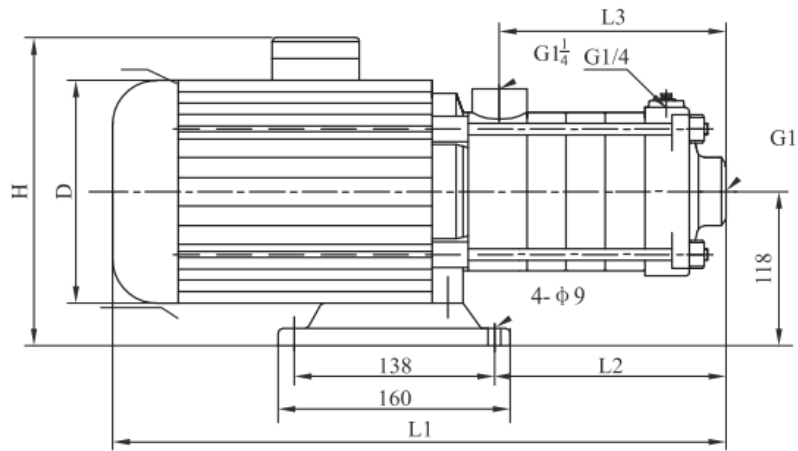
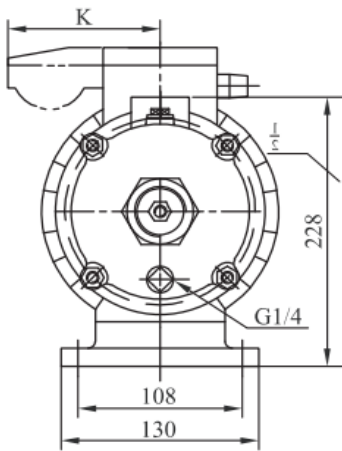




Zhejiang Shoufei Pump Industry Co.,Ltd

Model	Motor (KW)	Q (m³/h)	0.5	1	1.5	2.0	2.5	3.0	3.5
CHLF(T)2-20	0.37	H(m)	19	18	16.5	15	13	10	7.5
CHLF(T)2-30	0.37		28	26.5	24.5	22	19	15.5	12
CHLF(T)2-40	0.55		36	34.5	33	29	25	20.5	16
CHLF(T)2-50	0.55		45.5	43	40	36	31.5	26.5	20.5
CHLF(T)2-60	0.75		53.5	51	48	44	39	32	24

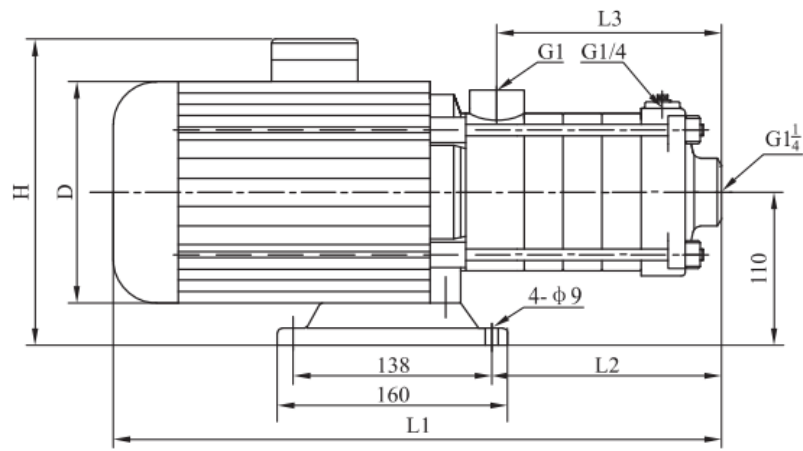
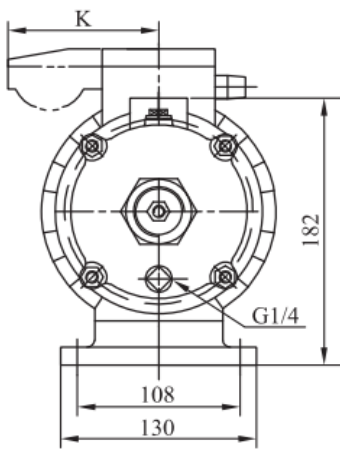


Model	Dimension(mm)						Weight (kg)
	L1	L2	L3	D	H	K	
CHLF(T)2-20	305	87	84	145	215/230	/96	15
CHLF(T)2-30	323	105	102	145	215/230	/96	15
CHLF(T)2-40	341	123	120	145	215/230	/96	15
CHLF(T)2-50	359	141	138	145	215/230	/96	15
CHLF(T)2-60	422	159	156	170	225/245	/100	17



Zhejiang Shoufei Pump Industry Co.,Ltd

Model	Motor (KW)	Q (m³/h)	1	2	3.0	4.0	5.0	6.0	7.0
CHLF(T)4-20	0.37	H(m)	19	18	17	15	12.5	10	8
CHLF(T)4-30	0.55		28	27	26	23.5	20.5	17	13
CHLF(T)4-40	0.75		37.5	36	34	31	27	23	19
CHLF(T)4-50	1.1		47	45	42.5	39	34	29	23
CHLF(T)4-60	1.1		56	54	51	47	41.5	35.5	28

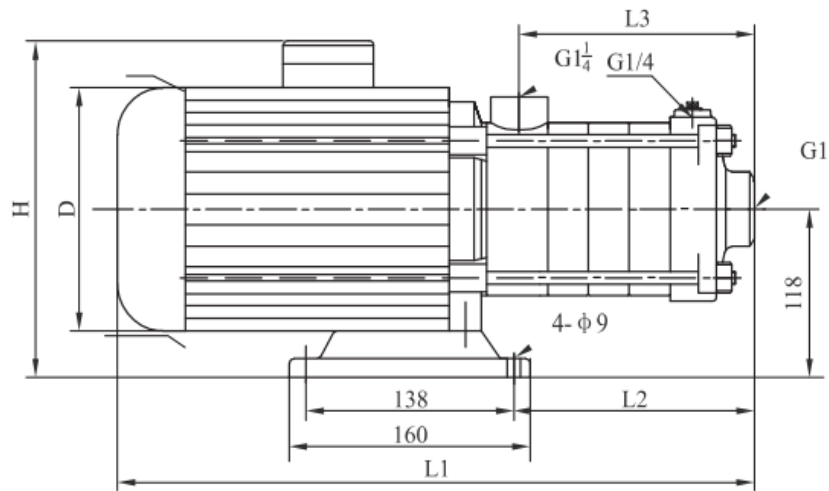
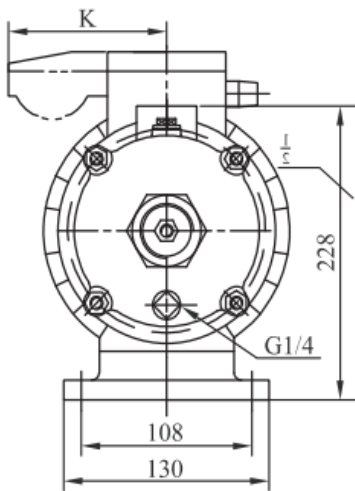


Model	Dimension(mm)						Weight (kg)
	L1	L2	L3	D	H	K	
CHLF(T)4-20	329	105	102	145	215/230	/96	15
CHLF(T)4-30	356	132	129	145	215/230	/96	15
CHLF(T)4-40	416	162	156	170	225/245	/100	15
CHLF(T)4-50	455	188	183	170	225/245	/100	15
CHLF(T)4-60	482	213	210	170	225/245	/100	17



Zhejiang Shoufei Pump Industry Co.,Ltd

Model	Motor (KW)	Q (m ³ /h)	5	6	7.0	8.0	9.0	10.0	11.0
CHLF(T)8-10	0.75	H(m)	10	9.5	9.3	9	8	7.5	7
CHLF(T)8-20	0.75		20	19.5	19	18	17	15.5	14
CHLF(T)8-30	1.1		29.5	29	28	27	25	23	21
CHLF(T)8-40	1.5		39	38	37	35	33	30.5	27.5
CHLF(T)8-50	2.2		51	49.5	47.5	45	42.5	39.5	36

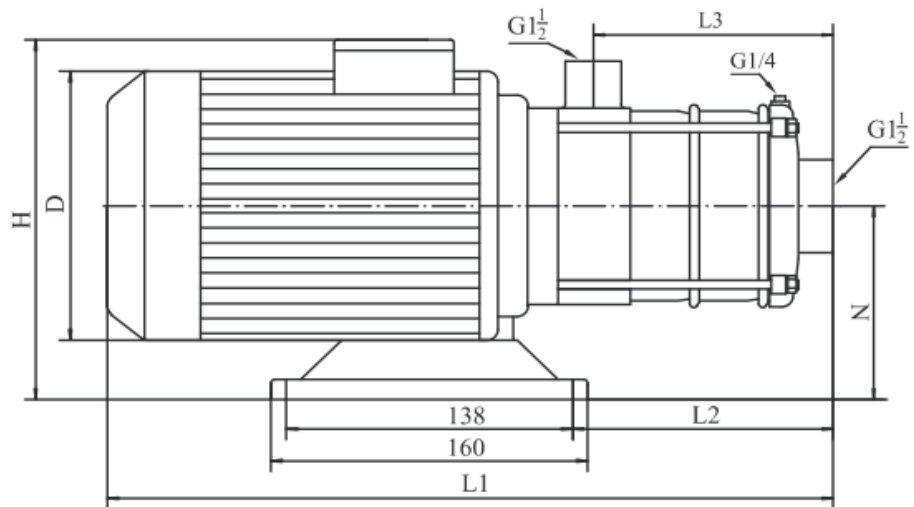
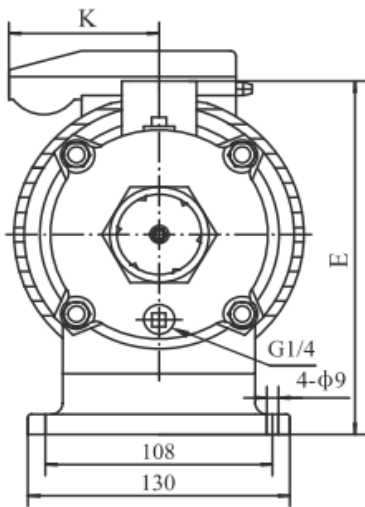


Model	Dimension(mm)						Weight (kg)
	L1	L2	L3	D	H	K	
CHLF(T)8-10	395	126	108	170	230/265	/100	20
CHLF(T)8-20	395	126	108	170	230/265	/100	20
CHLF(T)8-30	425	156	138	170	230/265	/100	25
CHLF(T)8-40	490	186	168	180	240/270	/100	28
CHLF(T)8-50	520	216	198	180	240/270	/100	30



Zhejiang Shoufei Pump Industry Co.,Ltd

Model	Motor (KW)	Q (m³/h)	7	8	9	10	11	12	13	14	15	16
CHLF(T)12-10	0.75	H(m)	11.5	11.2	11	10.5	10	9.5	9	8	7	6
CHLF(T)12-20	1.2		23	22.5	22	21.5	20.5	19.5	18.5	17	15.5	13
CHLF(T)12-30	1.8		35	34.5	33.5	32.5	31	29.5	28	26	23.5	20
CHLF(T)12-40	2.4		47	46	45	43.5	41.5	39.5	37.5	35	31.5	27.5
CHLF(T)12-50	3		60	58	56.5	55	52.5	50	47	44	40	35

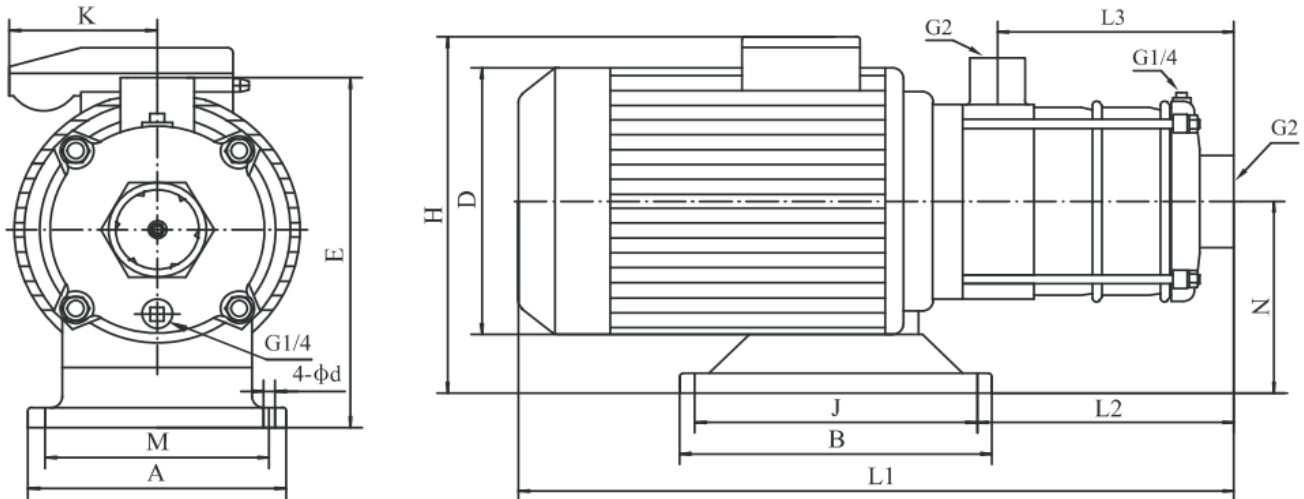


Model	Dimension(mm)								Weight (kg)
	L1	L2	L3	H	D	E	N	K	
CHLF(T)12-10	395	126	108	230/265	170	228	118	/100	20
CHLF(T)12-20	395	126	108	230/265	170	228	118	/100	21
CHLF(T)12-30	460	156	138	240/270	180	228	118	/100	25
CHLF(T)12-40	490	186	168	240/270	180	228	118	/100	29
CHLF(T)12-50	555	216	198	270/	195	240	126		34



Zhejiang Shoufei Pump Industry Co.,Ltd

Model	Motor (KW)	Q(m³/h)	8	10	12.0	14.0	16.0	18.0	20.0	22.0
CHLF(T)16-10	1.1	H(m)	12.8	12.5	12	11.5	10.5	9.5	8	7
CHLF(T)16-20	2.2		26	25	24	23	21.7	20	18	16
CHLF(T)16-30	3		40	39	38	36	34	31.5	29	25
CHLF(T)16-40	4		53.5	52	50	48	45	42	38	34

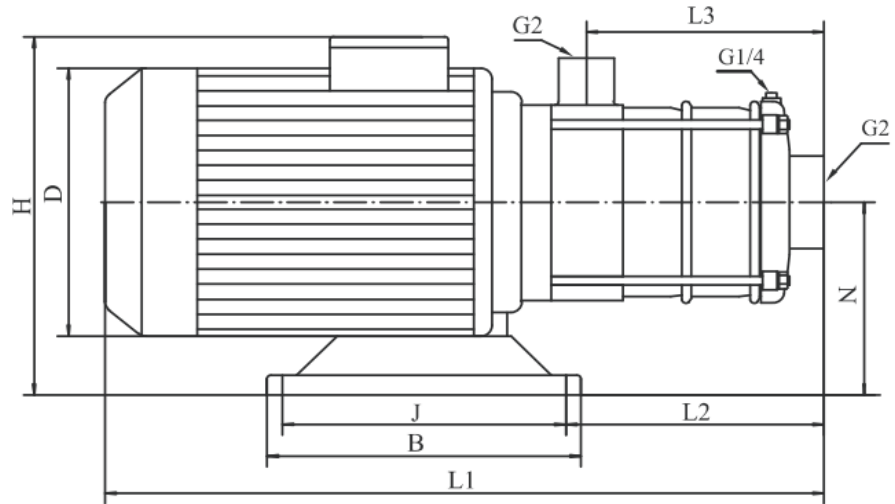
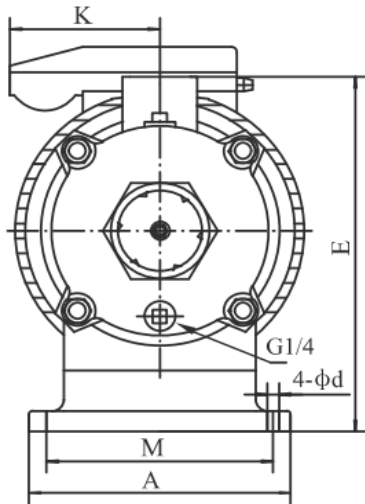


Model	Dimension(mm)											Weight (kg)
	L1	L2	L3	H	D	E	N	M	B	d	K	
CHLF(T)16-10	423	151	126	230/265	170	227	117	108	160	9	/100	17.5
CHLF(T)16-20	455	151	126	240/270	180	228	118	108	160	9	/100	27
CHLF(T)16-30	561	196	171	270/	195	240	130	108	160	9		33
CHLF(T)16-40	621	340	216	270/	220	230	120	190	170	12		41



Zhejiang Shoufei Pump Industry Co.,Ltd

Model	Motor (KW)	Q(m³/h)	10	12	14.0	16.0	18.0	20.0	22.0	24.0	26.0	28.0
CHLF(T)20-10	1.1	H(m)	13.5	13	12.5	12	11	10	9	8	7	6
CHLF(T)20-20	2.2		27	26.5	25.5	25	23.5	22	20.5	18.5	17	14.5
CHLF(T)20-30	4		39.5	39	38	37.5	35.5	34	31.5	29	26	23
CHLF(T)20-40	4.4		53	52	51	50	48.5	46.5	43	40	36	32.5



Model	Dimension(mm)											Weight (kg)
	L1	L2		H	D	E	N	A	B	J	d	
CHLF(T)20-10	423	151	126	230/265	170	227	117	130	160	138	9	17.5
CHLF(T)20-20	455	151	126	240/270	180	228	118	130	160	138	9	27
CHLF(T)20-30	576	294	171	270/	220	230	120	230	170	140	12	41
CHLF(T)20-40	621	340	216	270/	220	230	120	230	170	140	12	44