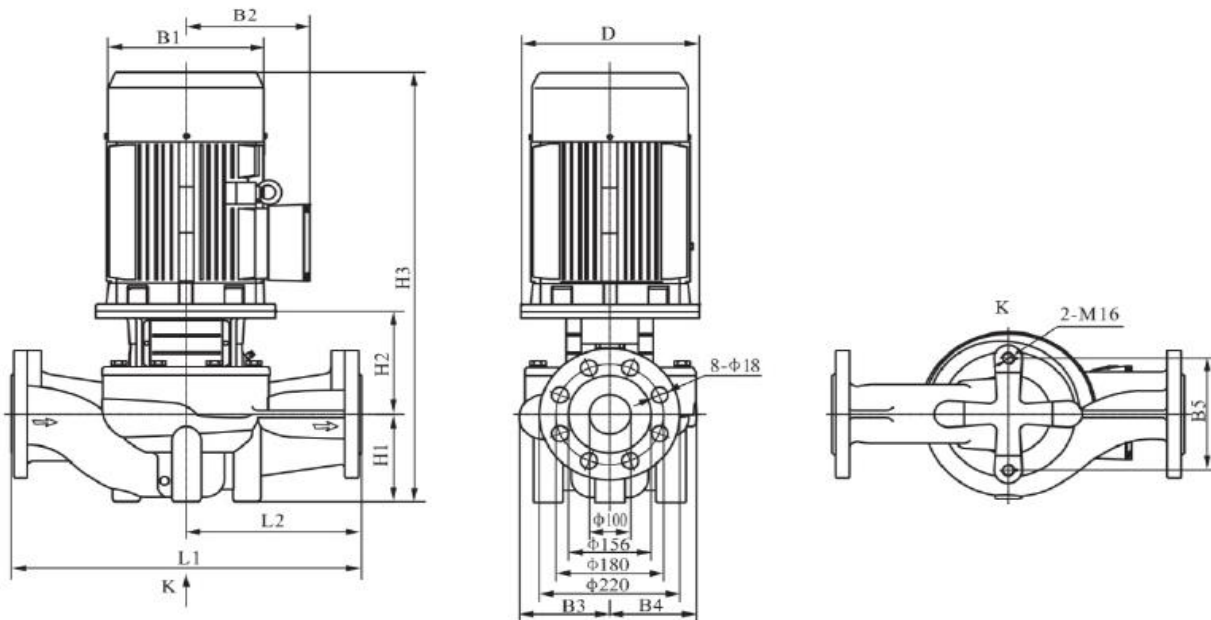




Shoufei Pump

Model	electric motor (KW)	Q (m ³ /h)	10	20	30	40	50	60	70	80	90	100	110	120	130	145	160
TD100-9/2	2.2	H(m)	13.9	13.2	12.2	10.8	9.0	6.8	4.4								
TD100-15/2	4		18.6	18.2	17.7	17.1	16.2	15.0	13.4	11.0							
TD100-17/2	5.5		21.7	21.5	21.1	20.7	20.0	19.2	18.3	17.0	15.3	13.0	10.4				
TD100-22/2	7.5		26.8	26.6	26.3	25.9	25.3	24.5	23.4	22.0	20.3	18.2	15.8				
TD100-27/2	11		31.5	31.3	31.1	30.9	30.7	30.3	29.8	29.2	28.2	27.0	25.5	23.6	20.8		
TD100-33/2	15		37.1	37.0	36.8	36.6	36.2	35.8	35.3	34.7	33.9	33.0	31.7	30.1	27.9		
TD100-40/2	18.5		43.3	43.2	43.1	42.9	42.7	42.4	42.1	41.6	40.9	40.0	38.9	37.4	35.3		
TD100-48/2	22		51.2	51.1	51.0	50.8	50.6	50.3	49.9	49.4	48.8	48.0	46.9	45.3	43.2		
TD100-52/2	30		55.3	55.3	55.3	55.3	55.2	55.1	54.8	54.6	54.4	54.2	53.8	53.1	52.0	49.0	43.5

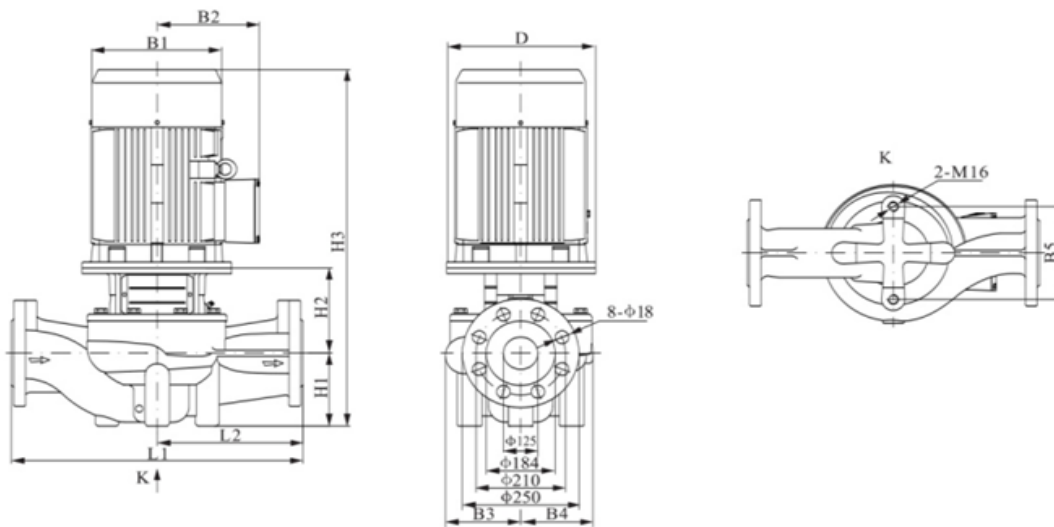


Model	Dimension(mm)											Weight(kg)
	D	B1	B2	B3	B4	B5	H1	H2	H3	L1	L2	
TD100-9/2	140	175	155	134	101	160	105	211	609	450	225	54
TD100-15/2	160	215	190	134	101	160	105	212	652	450	225	70
TD100-17/2	200	260	205	150	117	144	140	237	787	500	250	98
TD100-22/2	200	260	205	150	117	144	140	237	787	500	250	106
TD100-27/2	350	350	255	147	123	144	140	252	934	550	275	184
TD100-33/2	350	350	255	147	123	144	140	252	967	550	275	194
TD100-40/2	350	350	255	181	152	230	140	266	981	550	275	216
TD100-48/2	350	350	280	181	152	230	140	266	1011	550	275	258
TD100-52/2	400	400	305	181	152	230	140	266	1071	550	275	312



Shoufei Pump

Model	electric motor (KW)	Q (m ³ /h)	40	60	80	100	120	140	160	180	200
TD125-11/4	5.5	H(m)	12.9	12.7	12.4	11.8	11.0	9.9	8.0		
TD125-14/4	7.5		16.2	15.9	15.5	14.9	14.0	12.8	11.2		
TD125-18/4	11		21.5	21.3	21.0	20.6	19.9	19.1	18.0	16.4	14.1
TD125-22/4	15		26.7	26.5	26.2	25.7	24.9	23.7	22.0	19.8	16.7
TD125-28/4	18.5		30.9	30.8	30.7	30.5	30.1	29.3	28.0	25.8	22.2
TD125-32/4	22		34.6	34.6	34.5	34.4	34.0	33.3	32.0	30.2	27.3
TD125-40/4	30		43.9	43.6	43.3	42.9	42.2	41.3	40.0	38.0	35.4
TD125-48/4	37		51.3	51.3	51.0	50.5	49.9	49.1	48.0	46.4	44.2

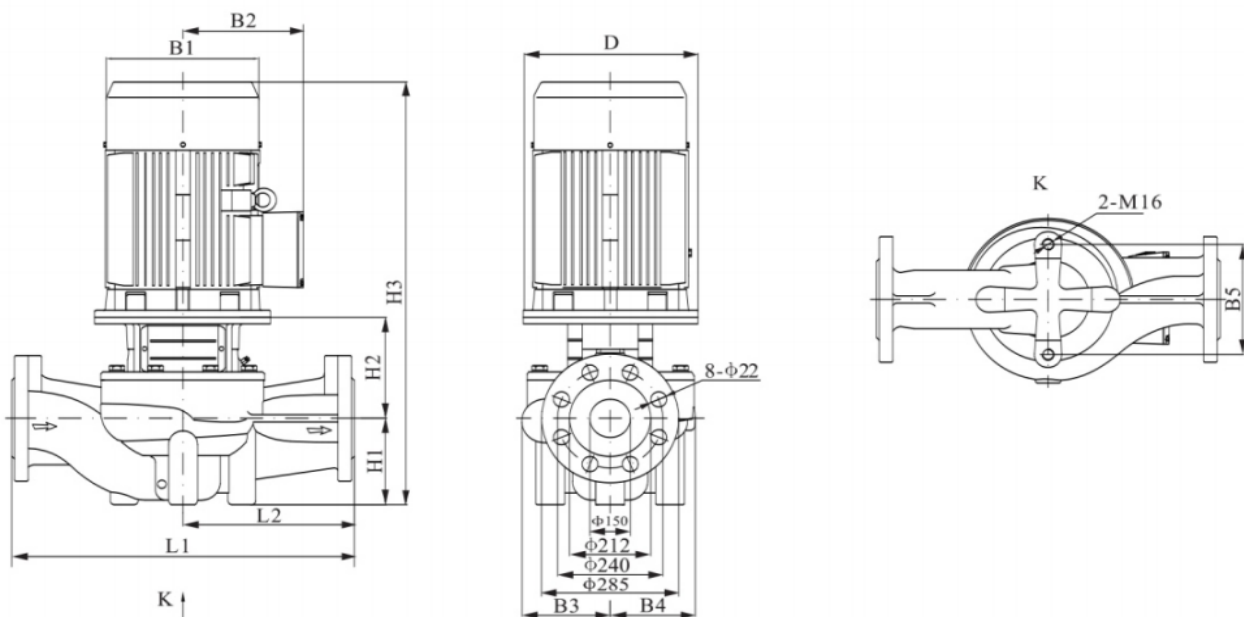


Model	Dimension(mm)											Weight(kg)
	D	B1	B2	B3	B4	B5	H1	H2	H3	L1	L2	
TD125-11/4	200	260	208	216	176	230	215	256	887	620	310	142
TD125-14/4	200	260	208	216	176	230	215	256	887	620	310	152
TD125-18/4	350	330	255	211	177	230	215	297	1054	800	400	258
TD125-22/4	350	330	255	236	208	230	215	297	1087	800	400	310
TD125-28/4	350	330	280	236	208	230	215	316	1106	800	400	350
TD125-32/4	350	330	280	236	208	230	215	316	1136	800	400	376
TD125-40/4	400	400	305	272	248	230	215	323	1238	800	400	462
TD125-48/4	450	450	335	272	248	230	215	323	1243	800	400	518



Shoufei Pump

Model	electric motor (KW)	Q(m ³ /h)	50	80	110	140	170	200	220	240
TD150-12.5/4	11	H(m)	14.6	14.5	14.4	14.2	13.7	12.5	11.1	9.2
TD150-17/4	15		18.8	18.8	18.7	18.5	18.0	17.0	16.1	15.0
TD150-21/4	18.5		23.3	23.1	22.9	22.6	22.0	21.0	19.8	17.9
TD150-25/4	22		28.0	28.0	27.8	27.3	26.5	25.0	23.5	21.3
TD150-33/4	30		35.5	35.4	35.2	34.8	34.2	33.0	31.5	29.6
TD150-40/4	37		43.1	43.0	42.8	42.4	41.6	40.0	38.4	36.2
TD150-50/4	45		52.4	52.2	52.0	51.7	51.1	50.0	48.7	46.7

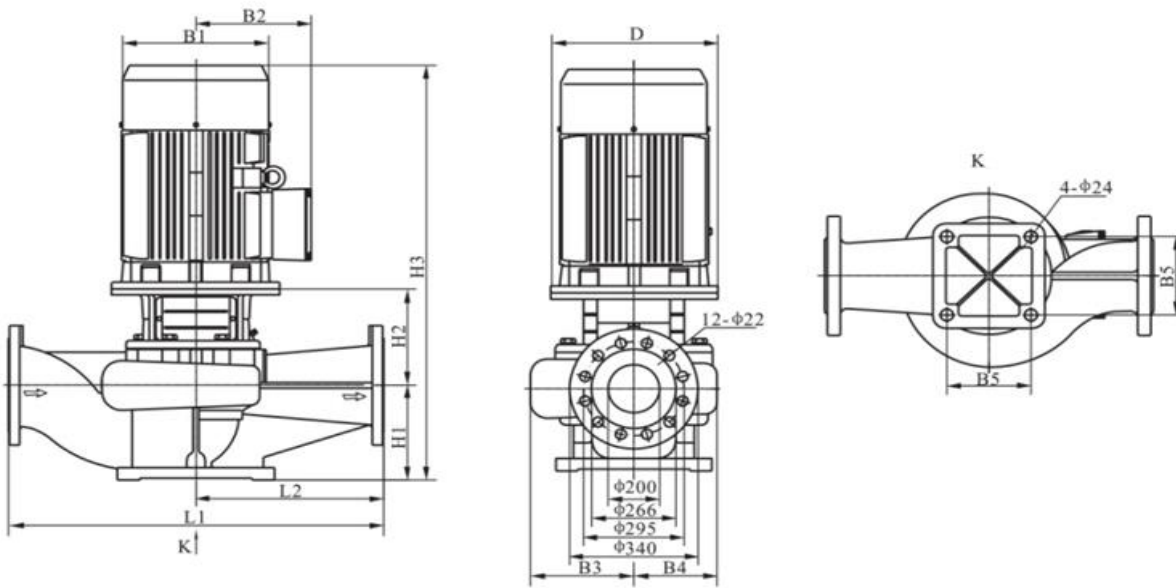


Model	Dimension(mm)											Weight(kg)
	D	B1	B2	B3	B4	B5	H1	H2	H3	L1	L2	
TD150-12.5/4	350	315	255	217	180	230	215	293	1050	800	400	260
TD150-17/4	350	315	255	217	180	230	215	293	1083	800	400	276
TD150-21/4	350	360	280	217	180	230	215	293	1083	800	400	314
TD150-25/4	350	360	280	238	208	230	215	293	1113	800	400	372
TD150-33/4	400	400	305	238	208	230	215	293	1208	800	400	430
TD150-40/4	450	450	335	267	248	230	230	323	1258	900	450	532
TD150-50/4	450	450	335	267	248	230	230	323	1283	900	450	556



Shoufei Pump

Model	electric motor (KW)	Q(m ³ /h)	90	120	150	180	210	240	270	300	330	360
TD200-15/4	18.5	H(m)	18.0	17.7	17.5	17.2	16.8	16.4	15.8	15.0	14.1	12.9
TD200-18/4	22		21.0	20.7	20.5	20.2	19.8	19.4	18.8	18.0	17.1	15.8
TD200-24/4	30		26.1	26.0	25.8	25.7	25.4	25.1	24.6	24.0	23.1	21.9
TD200-30/4	37		33.4	33.2	33.0	32.6	32.2	31.6	30.9	30.0	29.0	27.7
TD200-35/4	45		38.3	38.3	38.1	37.8	37.3	36.7	35.9	35.0	33.8	32.2
TD200-44/4	55		46.3	46.1	45.9	45.6	45.4	45.0	44.6	44.0	43.1	41.9
TD200-53/4	75		55.7	55.7	55.7	55.5	55.3	54.8	54.0	53.0	51.6	50.0

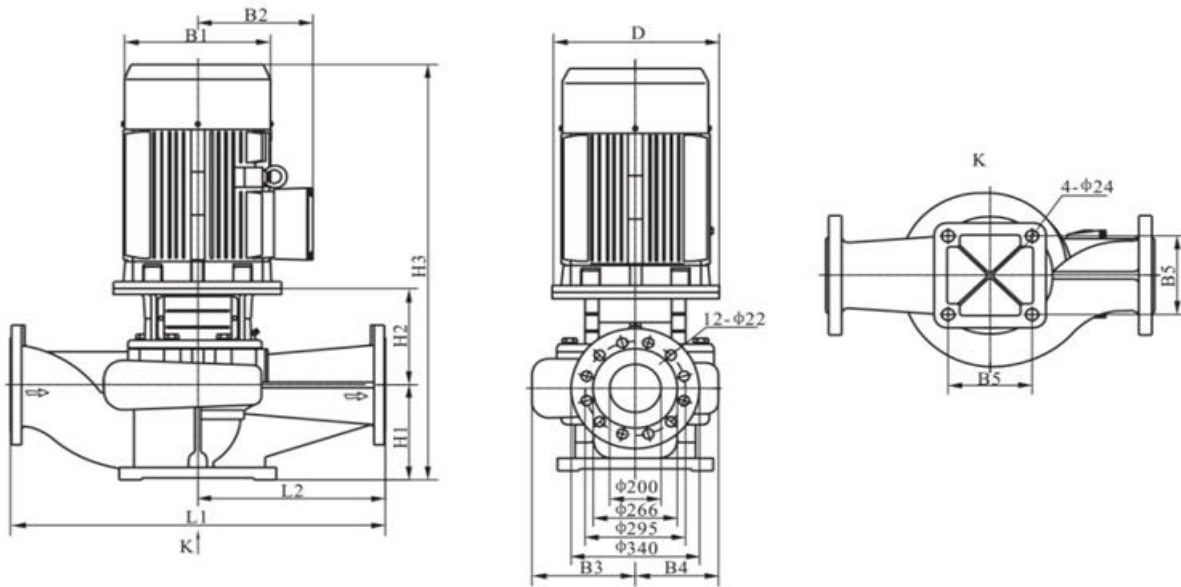


Model	Dimension(mm)											Weight(kg)
	D	B1	B2	B3	B4	B5	H1	H2	H3	L1	L2	
TD200-15/4	350	360	280	278	219	360	270	343	1188	1000	500	420
TD200-18/4	350	360	280	278	219	360	270	343	1218	1000	500	440
TD200-24/4	400	400	305	303	252	360	270	343	1313	1100	550	538
TD200-30/4	450	450	335	303	252	360	270	373	1348	1100	550	590
TD200-35/4	450	450	335	303	252	360	270	373	1373	1100	550	630
TD200-44/4	550	490	370	315	269	360	270	388	1423	1100	550	768
TD200-53/4	550	550	410	315	269	360	270	388	1486	1100	550	902



Shoufei Pump

Model	electric motor (KW)	Q(m ³ /h)	160	200	240	280	320	360	400	440	480
TD200-12.5/4	22	H(m)	17.2	16.9	16.5	15.9	15.1	14.0	12.5	10.7	8.0
TD200-20/4	30		24.6	24.4	24.0	23.6	22.8	21.7	20.0	17.5	14.2
TD200-23/4	37		28.1	27.8	27.4	26.8	25.9	24.8	23.0	20.9	18.2
TD200-27/4	45		32.1	31.7	31.2	30.5	29.6	28.4	27.0	24.9	22.5
TD200-32/4	55		37.5	37.1	36.5	35.7	34.7	33.3	32.0	29.9	27.7
TD200-43/4	75		47.0	46.7	46.4	45.9	45.3	44.4	43.0	41.1	38.6
TD200-50/4	90		52.9	52.8	52.6	52.2	51.7	51.0	50.0	48.3	45.5

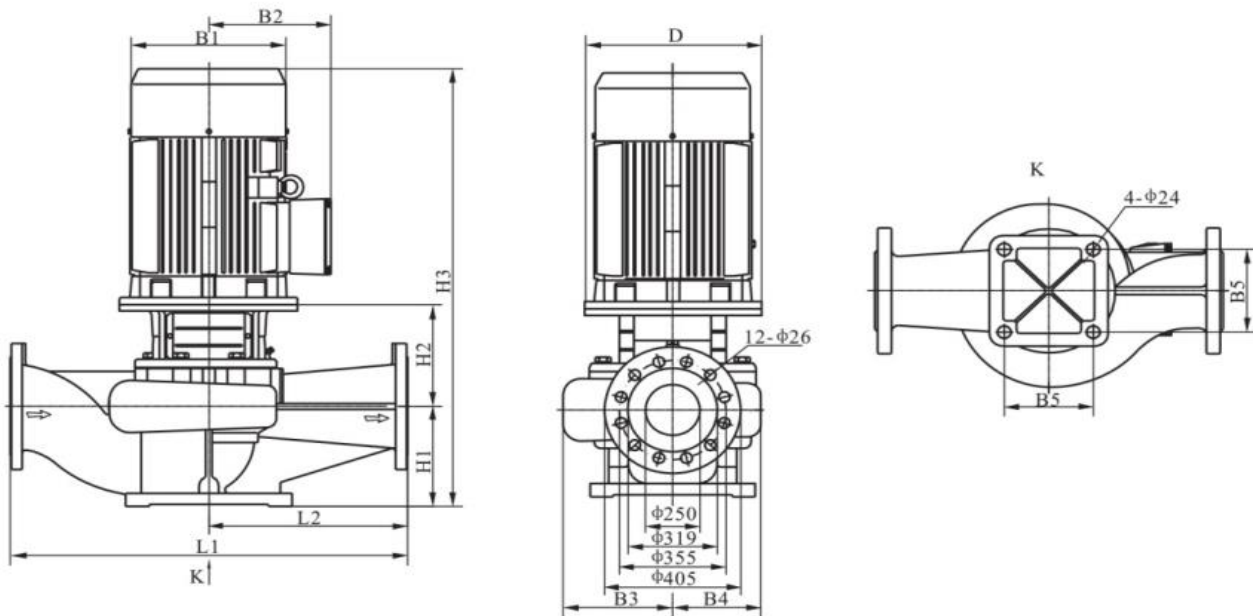


Model	Dimension(mm)											Weight(kg)
	D	B1	B2	B3	B4	B5	H1	H2	H3	L1	L2	
TD200-12.5/4	350	360	280	278	219	360	270	343	1218	1000	500	440
TD200-20/4	400	400	305	278	219	360	270	343	1313	1000	500	506
TD200-23/4	450	450	335	303	252	360	270	373	1348	1100	550	589
TD200-27/4	450	450	335	303	252	360	270	373	1408	1100	550	630
TD200-32/4	550	490	370	303	252	360	270	373	1408	1100	550	720
TD200-43/4	550	550	410	315	269	360	270	388	1486	1100	550	900
TD200-50/4	550	550	410	315	269	360	270	388	1538	1100	550	970



Shoufei Pump

Model	electric motor (KW)	Q(m ³ /h)	150	200	250	300	350	400	450	500	550	600
TD250-15/4	30	H(m)	18.8	18.4	18.0	17.6	17.1	16.4	15.8	15.0	14.1	12.7
TD250-18/4	37		21.2	20.9	20.5	20.1	19.7	19.2	18.7	18.0	17.1	15.9
TD250-21/4	45		24.1	23.8	23.5	23.1	22.8	22.3	21.8	21.0	20.0	18.8
TD250-27/4	55		30.3	30.0	29.6	29.2	28.8	28.3	27.7	27.0	26.1	24.9
TD250-36/4	75		39.1	38.8	38.5	38.2	37.8	37.3	36.8	36.0	35.0	33.4
TD250-44/4	90		47.4	47.1	46.8	46.4	45.9	45.4	44.8	44.0	43.0	41.6
TD250-53/4	110		56.2	55.9	55.6	55.3	54.8	54.3	53.7	53.0	52.1	50.9

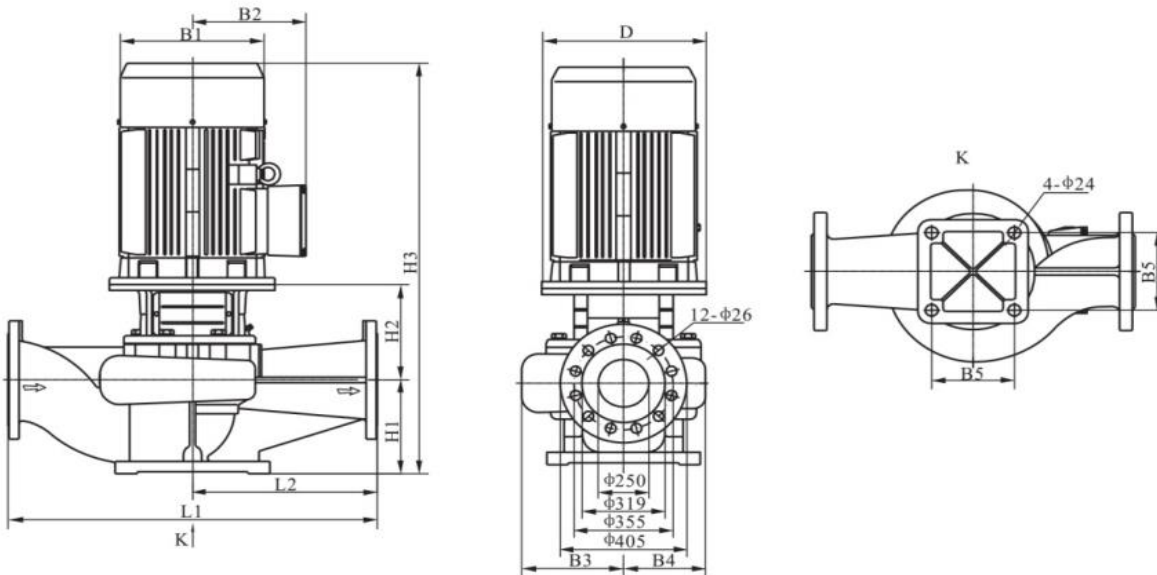


Model	Dimension(mm)											Weight(kg)
	D	B1	B2	B3	B4	B5	H1	H2	H3	L1	L2	
TD250-15/4	400	400	305	316	243	390	300	393	1393	1100	550	564
TD250-18/4	450	450	335	316	243	390	300	423	1428	1100	550	636
TD250-21/4	450	450	335	316	243	390	300	423	1453	1100	550	660
TD250-27/4	550	490	365	329	264	440	300	438	1503	1100	550	802
TD250-36/4	550	550	370	329	264	440	300	438	1568	1100	550	949
TD250-44/4	550	550	410	347	292	440	305	461	1646	1200	600	1065
TD250-53/4	660	625	530	347	292	440	305	461	1826	1200	600	1292



Shoufei Pump

Model	electric motor (KW)	Q(m ³ /h)	240	300	360	420	480	540	600	630	660	720	750
TD250-12.5/4	30	H(m)	18.4	17.9	17.2	16.4	15.5	14.5	13.2	12.5	11.8	9.9	8.7
TD250-14/4	37		20.0	19.5	18.9	18.2	17.5	16.6	15.6	14.0	13.4	12.6	11.6
TD250-17/4	45		21.8	21.3	20.8	20.1	19.4	18.6	17.6	17.0	16.3	14.4	13.4
TD250-20/4	55		24.5	24.1	23.7	23.1	22.4	21.5	20.5	20.0	19.3	17.6	16.5
TD250-26/4	75		31.7	31.1	30.6	29.9	29.1	28.2	26.8	26.0	25.2	23.1	21.9
TD250-32/4	90		36.7	36.3	35.7	35.1	34.3	33.5	32.6	32.0	31.3	29.5	28.4
TD250-40/4	110		46.0	45.5	44.9	44.2	43.4	42.3	40.8	40.0	39.1	36.8	35.5
TD250-50/4	132		55.6	55.2	54.6	53.9	53.2	52.3	50.9	50.0	49.0	46.7	45.4

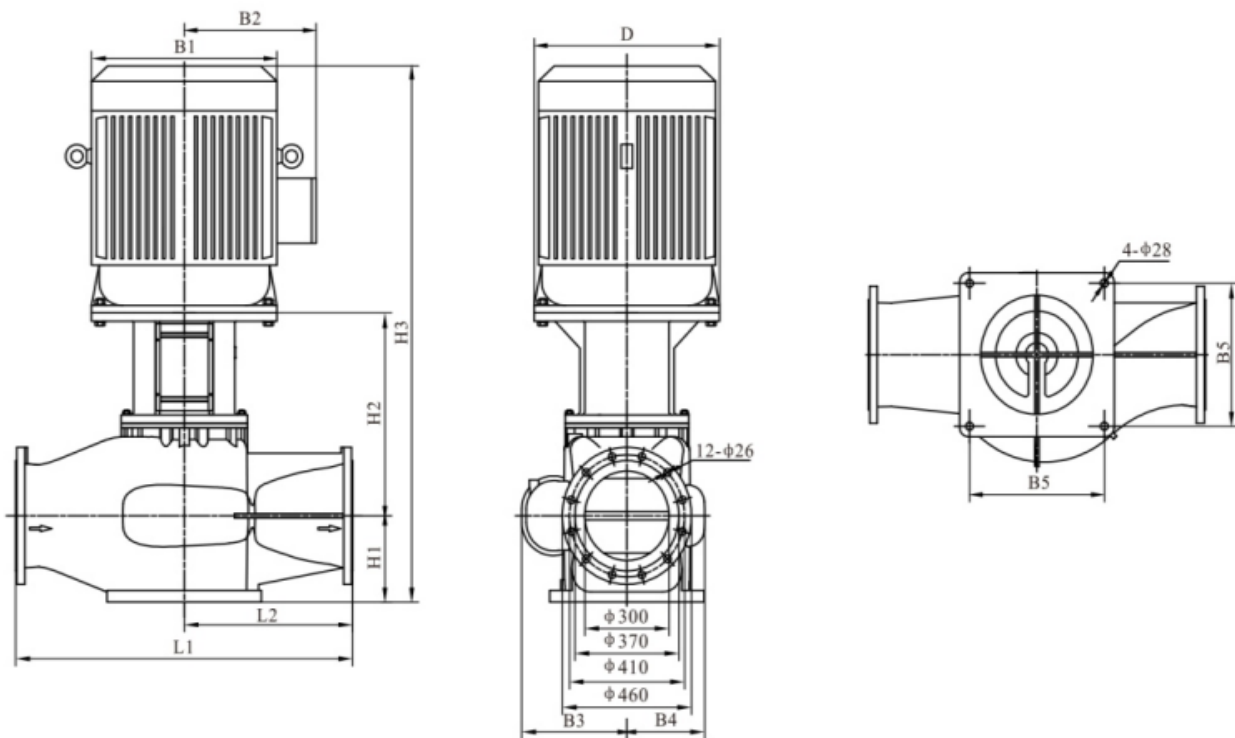


Model	Dimension(mm)											Weight(kg)
	D	B1	B2	B3	B4	B5	H1	H2	H3	L1	L2	
TD250-12.5/4	400	400	305	316	243	390	300	393	1393	1100	550	563
TD250-14/4	450	450	335	316	243	390	300	423	1428	1100	550	635
TD250-17/4	450	450	335	316	243	390	300	423	1453	1100	550	659
TD250-20/4	550	490	370	316	243	390	300	423	1503	1100	550	759
TD250-26/4	550	550	410	329	264	440	300	438	1568	1100	550	948
TD250-32/4	550	550	410	329	264	440	300	438	1618	1100	550	1017
TD250-40/4	660	625	530	347	292	440	305	461	1826	1200	600	1290
TD250-50/4	660	625	530	347	292	440	305	461	1946	1200	600	1400



Shoufei Pump

Model	electric motor (KW)	Q(m ³ /h)	270	360	450	630	750	900	1080	1200
TD300-15/4	55	H(m)	22.7	22.3	21.6	19.5	17.8	15.0	11.6	8.5
TD300-20/4	75		26.4	26.0	25.5	24.1	22.4	20.0	17.1	14.5
TD300-25/4	90		30.8	30.4	29.8	28.2	27.1	25.0	22.5	20.0
TD300-30/4	110		34.5	34.0	33.5	32.4	31.6	30.0	27.5	25.0
TD300-35/4	132		38.6	38.1	37.8	36.9	36.0	35.0	32.6	29.6
TD300-44/4	160		49.5	49.2	48.8	47.6	46.3	44.0	40.5	37.5
TD300-55/4	200		58.2	57.9	57.6	56.7	56.1	55.0	52.5	49.2



Model	Dimension(mm)											Weight(kg)
	D	B1	B2	B3	B4	B5	H1	H2	H3	L1	L2	
TD300-15/4	550	490	365	345	250	440	290	649	1720	1200	600	907
TD300-20/4	550	550	400	345	250	440	290	649	1770	1200	600	1075
TD300-25/4	550	550	400	380	280	480	290	659	1850	1200	600	1230
TD300-30/4	660	625	550	380	280	480	290	699	2000	1200	600	1570
TD300-35/4	660	625	550	380	280	480	290	699	2150	1200	600	1650
TD300-44/4	660	625	550	380	295	480	290	702	2150	1200	600	1790
TD300-55/4	660	625	550	380	295	480	290	702	2150	1200	600	1905